

# ***RX14L & RX16L Scissor Lifts***

***New, longer runways!***

**NEW**

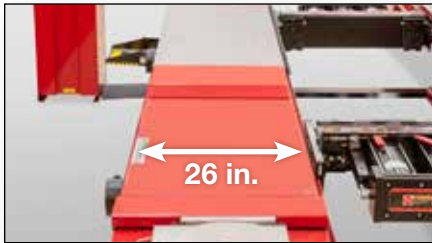


# RX14L/16L Scissor Lift

*Massive capacity  
with a small footprint*

**STANDARD**

## Extra-wide runways



- ✓ 26-in. runways accept wide, heavy vehicles

**PATENTED**

## Sensor feedback system\*



- ✓ Sensors keep runway level
- ✓ Safely stops if obstructed

**STANDARD**

## Unmatched Safety Systems

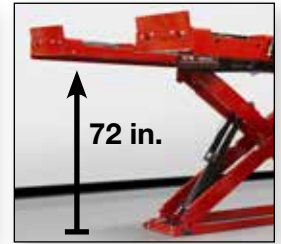


- ✓ Velocity fuses instantly stop lift in event of hydraulic failure
- ✓ Precision-fit teeth lock runways at 16 level height positions

## Low drive-on and high raise height



- ✓ Only 10.75 in. fully lowered
- ✓ Reduces clearance issues



- ✓ Comfortable 72-in. maximum height



## Stainless steel turnplates

- ✓ Maximum corrosion resistance for long life
- ✓ Optional PowerSlide® turnplates (shown) lock/unlock automatically
- ✓ Optional stainless steel slipplates



- ✓ Adjustable turnplate locations give 88-168" four-wheel alignment capability

\* Shown with protective cover removed

**STANDARD**

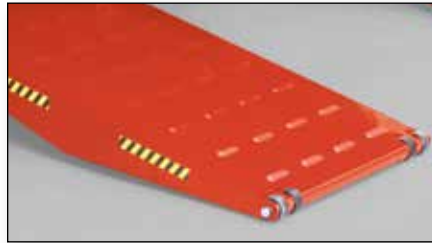
**Two Swing Air Jacks**



- ✓ 9,000-lb. capacity
- ✓ Technicians' favorite

**EXCLUSIVE**

**Louvered ramps**



- ✓ Prevent wheel spin in wet conditions
- ✓ More effective than diamond tread or abrasive strips

**PATENTED**

**Control panel**



- ✓ Complete operation from the console
- ✓ Optional PowerSlide®, Inflation Station and FIA control



***RX14KLIS** shown with optional light kit and stainless steel slipplates*

**EXCLUSIVE**

**Movable work steps**



- ✓ 10 secure positions
- ✓ Lightweight design

**PATENTED**    **OPTIONAL**

**Inflation Station**



- ✓ Automatically fills or bleeds each tire
- ✓ No dangling air lines

**NEW!** Longer runways



- ✓ 195" two-wheel alignment capable
- ✓ Rolling compensation for more trucks/vans

# Exclusive features, enhanced capabilities

## EXCLUSIVE

### Fast descent speed

- ✓ 50% faster lowering times
- ✓ Ensures a soft landing by automatically slowing the last several inches

**FAST  
descent**

0:25

0:50

*Others*



## STANDARD

### Swing Air Jacks

- ✓ Lift vehicles off the runways during alignment procedures and other multi-service operations
- ✓ 9,000-lb. (4082-kg) capacity
- ✓ Folding design provides lowest profile

**133-84-1 — 9,000-lb. capacity Swing Air Jack**

## EXCLUSIVE

### RX16KL flush-mount

- ✓ Accommodate lowered vehicles or expensive spoilers
- ✓ Ideal for “showcase” shops
- ✓ Drive-thru capability



**OPTIONAL**

## Extend your service life with enhanced corrosion protection

- ✓ Zinc-rich-primed, powder-coated and caulked runways
- ✓ Zinc-rich-primed and powder-coated bases and ramps
- ✓ Stainless steel slipplates and turnplates



Available in red (-PRR) or black (-PRB) only

Powerslide® turnplate used on PS and IS models shown



**EXCLUSIVE** **OPTIONAL**

## AlignLights system

- ✓ Bright and efficient LED light source underneath the vehicle
- ✓ Automatically turns on when the lift is raised and turns off when the lift is lowered to the floor
- ✓ AlignLights is an ALI-listed accessory

**20-3438-1** — *AlignLights system*



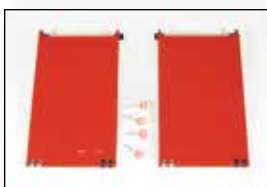
**OPTIONAL**

## Approach ramp extensions

Extensions lessen the ramp incline for high-floor-slope installs and ease of service for specialty vehicles.



**17-in. kit – 20-3113-1**  
Adds 5 in. to RX14K



**50-in. kit\* – 20-2189-1**  
Adds approximately 38 in. to RX14K

\* Quick-release pins included.

**OPTIONAL**

## Wheel stop extension

Provides additional space for conventional sensors and vehicles with low spoilers.



**20-2497-1**  
Adds approximately 12 in. to RX14K

## Drive-thru conversion\*



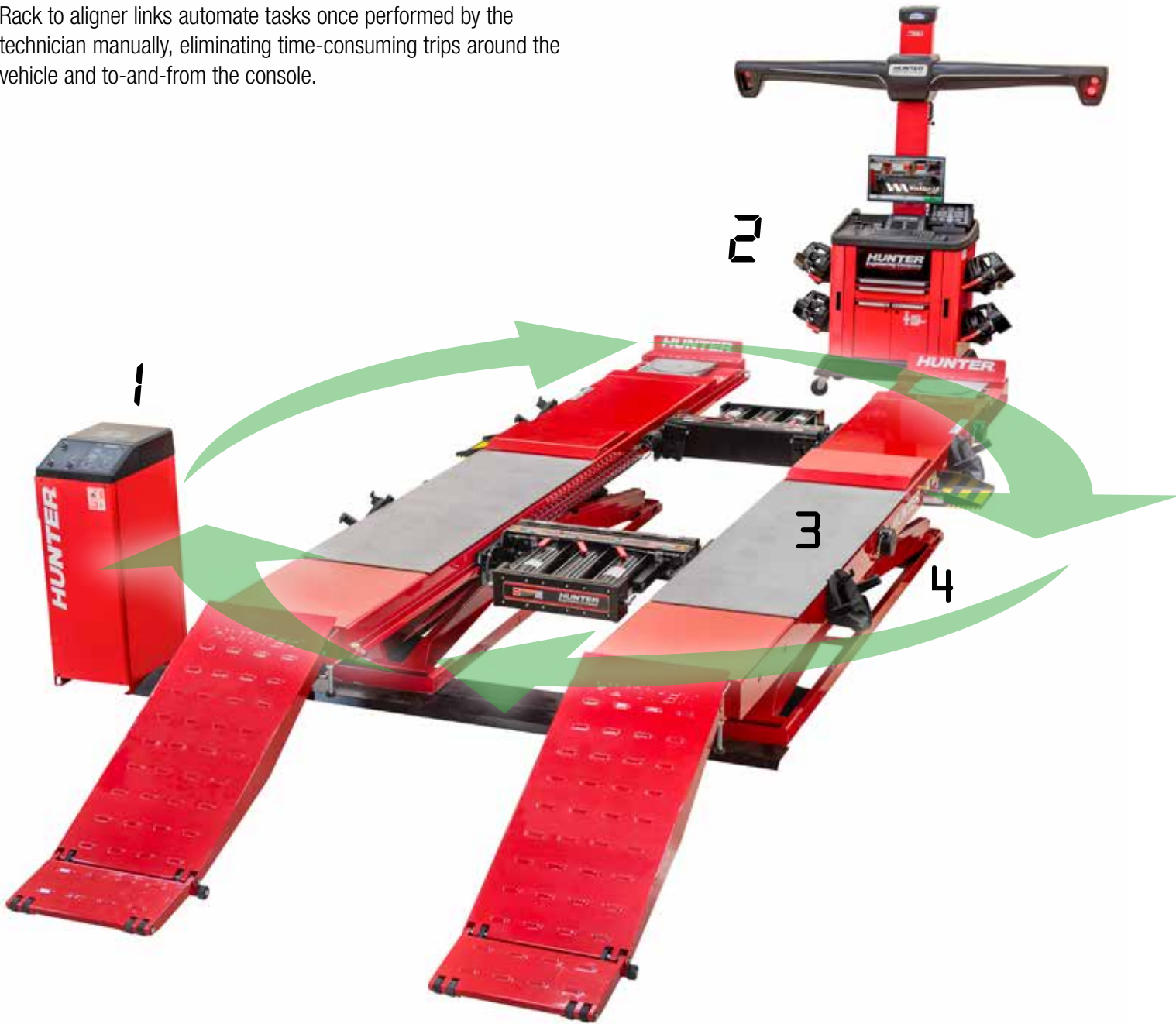
**52-in. kit – 20-2498-1**  
For camera sensors

# FIA Fully Integrated Alignment



FIA streamlines the entire alignment process.

Rack to aligner links automate tasks once performed by the technician manually, eliminating time-consuming trips around the vehicle and to-and-from the console.



*Shown with optional aligner console, sensors, bar code reader, target support brackets, and lights*



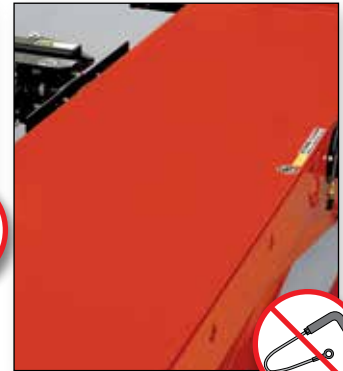
PATENTED

## PowerSlide® edition

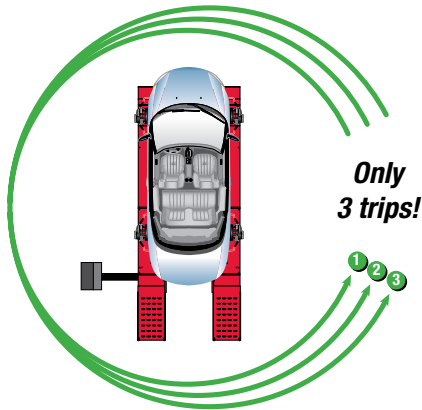
- ✓ Locks slipplates and turnplates with the touch of a button or automatically through an FIA-equipped aligner\*
- ✓ No more struggles with lock pins
- ✓ Avoid wear and tear and extend the life of your turnplates



STANDARD



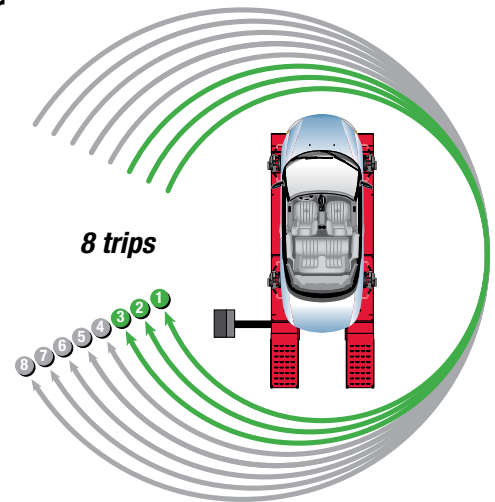
STANDARD



### Minimize trips around the car

- 1 Mount targets
- 2 Make adjustments
- 3 Remove targets
- 4 Jack vehicle and compensate sensors
- 5 Lower leveling legs (if equipped)
- 6 Remove slipplate and turnplate pins
- 7 Replace slipplate and turnplate pins
- 8 Raise leveling legs (if equipped)

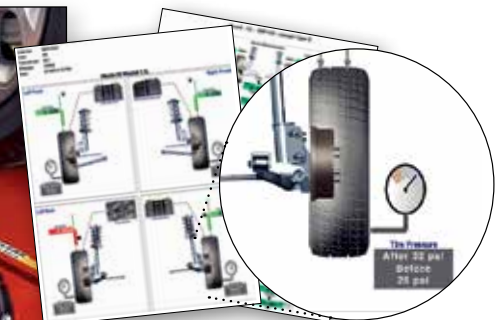
### Yesterday's technology



PATENTED

## Inflation Station edition

- ✓ Includes PowerSlide® slipplates and turnplates
- ✓ Automatically inflate all four tires simultaneously
- ✓ Record starting and final pressure\*
- ✓ Hose recoils to keep work area clear



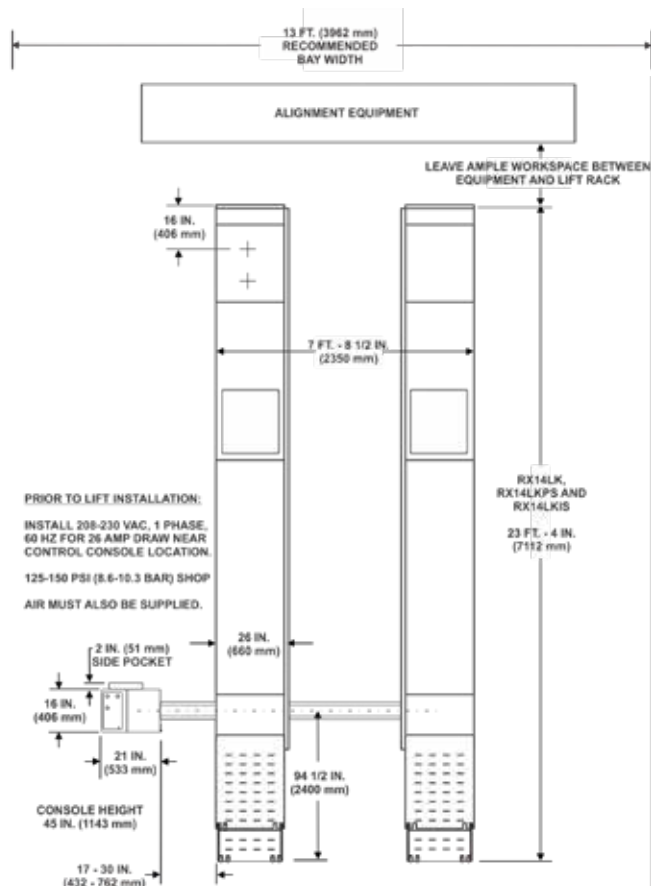
**Printouts show starting and final tire pressures.**

\* Requires FIA equipped aligner with WinAlign® 10.x software or greater

# Specifications

	Flush-mount RX16KLF	Surface-mount RX14KL
<b>Max. vehicle weight</b>	16,000 lbs. (7200 kg)	14,000 lbs. (6300 kg)
<b>Max. wheelbase</b>		
General service	201 in. (5105 mm)	
Two-wheel alignment	195 in. (4953 mm)	
Four-wheel alignment	168 in. (4267 mm)	
<b>Min. four-wheel alignment</b>	88 in. (2235 mm)	
<b>Lowered height</b>	N/A	10.75 in. (273 mm)
<b>Max. lifting height</b>	70 in. (1778 mm)	72 in. (1828 mm)
<b>Alignment height</b>	All lock positions	
<b>Runway width</b>	26 in. (660 mm)	
<b>Tread width</b>		
Min. inside	40 in. (1016 mm)	
Max. outside	92.5 in. (2350 mm)	
<b>Air supply requirements</b>	130-150 psi (9-10.3 bar)	
<b>Speed</b>	Lifting: 1 speed, 60 seconds Lowering: 2 speed, 25 seconds	

## RX14KL Plan View



Contact your local Hunter Representative for details on site requirements.

## Models

	RX16KLFIS	RX14KLIS	RX14KLPS	RX14KL
9,000-lb. Swing Air Jacks	✓	✓	✓	✓
Two-speed lowering	✓	✓	✓	✓
Fully Integrated Alignment	✓	✓	✓	✓
PowerSlide® slipplates and turnplates	✓	✓	✓	✓
Inflation Station	✓	✓	✓	✓
Flush-mounted	✓	✓	✓	✓



The Hunter RX14KL and RX16KL Series Scissor Lifts have been certified under the program conducted by Automotive Lift Institute (ALI) to comply with Safety Standard ANSI/ALI ALCTV and Electrical Standard UL 201.

Because of continuing technological advances, specifications, models and options are subject to change without notice.

PowerSlide and WinAlign are registered trademarks of Hunter Engineering Company. The PowerSlide logo is a trademark of Hunter Engineering Company.



Be sure to check out other Hunter literature for more quality products from Hunter Engineering.

# HUNTER Engineering Company

[www.hunter.com](http://www.hunter.com)